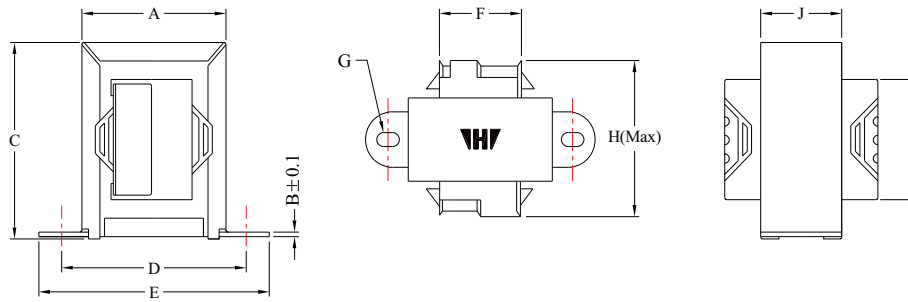


Core Size	Stack Thickness (mm)	Output Power (VA)	Dimensions (mm)									
			A	B	C	D	E	F	G	H	I	J
EI-28	12.0	1.0 ~ 1.4	30.5	0.6	27.5	37.0	46.0	20.0	2.9x4.6	32.0	17.0	14.5
EI-35	10.0	1.4 ~ 1.8	37.0	0.6	32.0	45.5	56.0	25.0	3.5x7.0	32.0	19.5	13.0
	11.0	1.5 ~ 2.0	37.0	0.6	32.0	45.5	56.0	25.0	3.5x7.0	33.0	19.5	13.0
	13.0	1.8 ~ 2.5	37.0	0.6	32.0	46.5	56.5	25.0	3.5x6.5	34.0	19.5	15.0
	13.5	1.8 ~ 2.6	37.0	0.6	32.0	46.5	56.0	25.0	3.5x6.5	35.0	19.5	15.5
	15.5	2.4 ~ 3.5	37.0	0.6	32.0	46.0	57.0	25.0	3.5x7.0	37.0	19.5	17.5
EI-41	16.5	4.0 ~ 5.8	43.0	0.6	36.0	53.0	64.0	29.0	3.5x7.0	38.0	21.0	18.5
	20.0	5.5 ~ 8.0	43.0	0.6	36.0	53.0	64.5	29.0	3.5x6.7	43.0	21.0	22.0
	24.5	6.5 ~ 10.0	43.0	0.7	36.0	53.0	64.0	29.0	3.5x7.0	48.0	21.0	26.5
	26.5	7.5 ~ 11.0	43.0	0.6	36.0	53.0	64.5	29.0	3.5x7.0	49.0	21.0	28.5
EI-48	18.5	8.0 ~ 11.0	50.5	0.7	43.0	60.0	71.0	32.0	3.5x8.0	42.0	24.0	21.0
	21.5	9.0 ~ 12.5	50.5	0.7	43.5	60.0	71.5	32.0	4.0x7.4	46.0	24.0	24.0
	23.5	11.0 ~ 15.0	50.5	0.7	43.0	62.0	73.5	32.0	3.5x7.0	48.0	24.0	25.5
	27.0	13.5 ~ 19.0	50.5	0.7	43.0	60.0	71.5	32.0	4.0x7.0	49.0	24.0	29.5
	30.0	17.0 ~ 23.0	50.5	0.7	43.5	60.0	71.0	32.0	4.0x7.0	52.0	24.0	32.5
EI-54	18.0	11.0 ~ 14.0	56.5	0.7	48.5	66.0	78.0	36.0	4.5x7.5	44.0	27.0	20.5
	24.5	15.5 ~ 22.0	56.0	0.8	48.5	69.5	81.0	36.0	4.5x6.5	51.0	27.0	27.5
EI-57	24.5	16.0 ~ 26.0	59.5	0.8	51.0	73.0	84.5	38.0	4.7x8.8	53.0	28.5	27.0
	25.0	16.0 ~ 27.0	59.5	0.8	51.0	70.0	84.0	38.0	4.3x7.8	53.0	28.5	27.5
	30.0	21.0 ~ 36.0	59.5	0.8	51.0	70.5	84.5	38.0	4.5x8.0	56.0	28.5	33.5
EI-60	24.0	18.0 ~ 28.0	63.0	0.9	53.5	77.0	90.5	40.0	4.5x8.0	55.0	30.0	27.0
	30.0	25.0 ~ 42.0	62.5	0.9	53.0	76.0	89.5	40.0	4.2x7.0	61.0	30.5	33.0
EI-66	28.0	26 ~ 45	68.5	0.9	59.0	81.0	91.5	44.0	5.0x6.5	60.0	33.0	31.5
	32.5	30 ~ 55	68.5	0.9	59.0	78.5	91.5	44.0	5.0x7.5	64.0	33.0	35.0
	36.0	36 ~ 65	68.5	0.9	59.0	81.0	91.5	44.0	5.0x7.0	67.5	33.0	39.0
	45.0	45 ~ 78	68.5	0.9	59.0	81.0	91.5	44.0	5.0x7.0	76.5	33.0	48.0
EI-76	40.0	60 ~ 80	79.5	1.2	68.0	94.0	110.0	51.0	6.0x9.0	78.0	38.5	44.0
	42.0	65 ~ 88	79.5	1.2	68.0	94.0	110.0	51.0	6.0x9.0	80.0	38.5	46.0
	50.5	85 ~ 115	79.5	1.2	68.0	94.0	110.0	51.0	6.0x9.0	88.0	38.5	54.5
	56.0	110 ~ 150	79.5	1.2	68.0	94.0	110.0	51.0	6.0x9.0	93.0	38.5	60.0
EI-86	42.0	85 ~ 118	89.5	1.2	76.0	107.0	125.0	57.5	6.0x10.0	79.0	43.0	46.0
	43.0	90 ~ 125	89.5	1.2	76.0	107.0	125.0	57.5	6.0x10.0	81.0	43.0	47.0
EI-96	50.0	160 ~ 220	100.0	1.2	84.5	118.0	137.0	64.0	6.0x12.0	90.0	48.0	54.0

Remarks :-

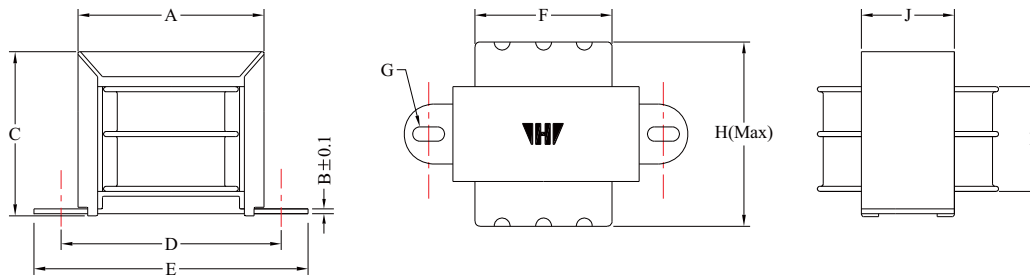
- 1) Construction is suitable for UL, CSA, JIS, VDE, BS, IEC, SAA, DEMKO, SEMKO or CCC standard.
- 2) Input voltage is AC 100V 50/60Hz, 115V 60Hz, 230V 50Hz or 240V 50Hz normally but customer special request is welcome.
- 3) For any further inquiries about the safety approvals, output voltage or current, please feel free to contact our sales representative.



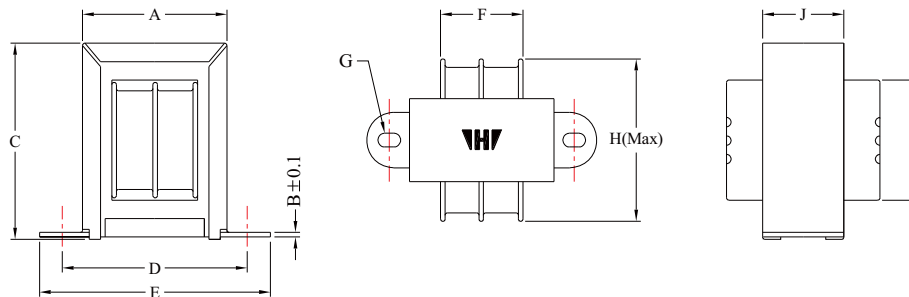
Core Size	Stack Thickness (mm)	Output Power (VA)	Dimensions (mm)									
			A	B	C	D	E	F	G	H	I	J
EI-28	12.0	1.0 ~ 1.4	27.0	0.5	30.0	33.5	43.0	17.0	2.9x4.6	32.0	20.0	14.5
EI-35	10.0	1.4 ~ 1.8	31.5	0.6	37.5	40.5	51.5	20.0	3.5x6.5	32.0	25.0	12.0
	11.0	1.5 ~ 2.0	31.5	0.6	37.5	39.5	50.0	20.0	3.4x7.0	33.0	25.0	13.0
	13.5	1.8 ~ 2.6	31.5	0.6	37.5	41.0	52.0	20.0	3.5x6.5	35.0	25.0	15.5
	15.5	2.4 ~ 3.5	31.5	0.6	37.5	41.0	53.0	20.0	3.5x7.0	37.0	25.0	17.5
EI-41	16.5	4.0 ~ 5.8	35.0	0.6	44.0	46.0	57.5	21.0	3.5x7.0	38.0	29.0	18.5
	20.0	5.5 ~ 8.0	35.0	0.6	43.5	43.5	56.0	21.0	3.5x6.8	43.0	29.0	22.0
	20.5	6.5 ~ 8.5	35.0	0.6	44.0	43.5	55.5	21.0	3.5x6.5	43.0	29.0	23.0
	26.5	7.5 ~ 11.0	35.0	0.6	43.5	46.5	58.0	21.0	3.5x7.0	49.0	29.0	28.5
EI-48	18.5	8.0 ~ 11.0	42.0	0.7	51.0	52.5	65.0	24.0	4.0x7.0	41.0	32.0	21.0
	21.5	9.0 ~ 12.5	42.0	0.7	51.5	55.0	68.0	24.0	3.5x7.1	46.0	32.0	24.0
	23.5	11.0 ~ 15.0	42.0	0.7	51.5	56.0	68.0	24.0	4.1x7.7	48.0	32.0	25.5
	27.0	13.5 ~ 19.0	42.5	0.7	51.0	56.0	68.0	24.0	4.0x7.0	49.0	32.0	29.5
	30.0	17.0 ~ 23.0	42.5	0.7	51.0	56.0	68.0	24.0	4.0x7.0	52.0	32.0	32.5
EI-54	18.0	11.0 ~ 14.0	46.5	0.7	57.0	60.0	72.0	27.0	4.0x7.0	44.0	36.0	20.5
	24.5	15.5 ~ 22.0	46.5	0.7	57.0	60.0	72.0	27.0	4.0x7.0	51.0	36.0	27.0
EI-57	24.5	16.0 ~ 26.0	50.0	0.8	60.0	62.0	75.0	28.5	4.5x7.0	53.0	38.0	28.0
	30.0	21.0 ~ 36.0	50.0	0.8	60.0	64.0	76.0	28.5	4.8x8.0	56.0	38.0	33.0
EI-60	24.0	16.5 ~ 28.0	52.0	0.8	64.0	68.0	80.0	30.0	4.7x7.0	55.0	40.0	27.0
	30.0	25.0 ~ 42.0	52.0	0.9	64.0	68.0	80.0	30.0	4.7x7.0	61.0	40.0	33.0
EI-66	28.0	26 ~ 45	57.5	0.9	69.5	69.0	80.5	33.0	4.5x6.5	60.0	44.0	31.0
	32.5	30 ~ 55	57.5	0.9	70.0	70.5	81.0	33.0	5.2x7.5	64.0	44.0	35.0
	36.0	36 ~ 65	57.5	0.9	70.0	70.5	81.0	33.0	5.2x7.5	67.0	44.0	39.5
	45.0	45 ~ 78	57.5	0.9	70.0	70.5	81.0	33.0	5.0x7.5	76.5	44.0	48.0
EI-76	40.0	60 ~ 80	66.5	1.2	81.0	80.0	95.0	38.5	6.0x9.0	78.0	51.0	44.0
	42.0	65 ~ 88	66.5	1.2	81.0	80.0	95.0	38.5	6.0x9.0	80.0	51.0	46.0
	50.5	85 ~ 115	66.5	1.2	81.0	80.0	95.0	38.5	6.0x9.0	88.0	51.0	54.5
	56.0	110 ~ 150	66.5	1.2	81.0	80.0	95.0	38.5	6.0x9.0	93.0	51.0	60.0
EI-86	42.0	85 ~ 118	74.5	1.2	91.0	91.0	108.0	43.0	6.0x10.0	79.0	57.5	46.0
	43.0	90 ~ 125	74.5	1.2	91.0	91.0	108.0	43.0	6.0x10.0	81.0	57.5	47.0
EI-96	50.0	160 ~ 220	83.0	1.2	101.0	100.0	119.0	48.0	6.0x12.0	90.0	64.0	54.0

Remarks :-

- 1) Construction is suitable for UL, CSA, JIS, VDE, BS, IEC, SAA, DEMKO, SEMKO or CCC standard.
- 2) Input voltage is AC 100V 50/60Hz, 115V 60Hz, 230V 50Hz or 240V 50Hz normally but customer special request is welcome.
- 3) For any further inquires about the safety approvals, output voltage or current, please feel free to contact our sales representative.



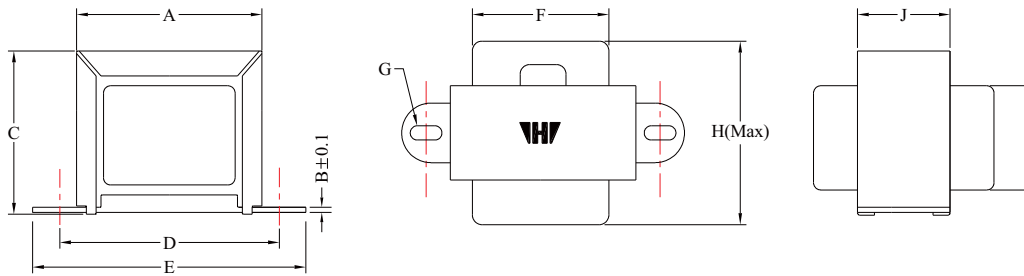
Core Size	Stack Thickness (mm)	Output Power (VA)	Dimensions (mm)									
			A	B	C	D	E	F	G	H	I	J
EI-28	11.0	0.8 ~ 1.2	30.0	0.6	27.5	37.5	46.0	20.0	2.9x4.6	32.0	18.0	14.0
	11.5	0.9 ~ 1.3	30.0	0.6	27.5	37.5	46.0	20.0	2.9x4.6	32.0	18.0	14.0
EI-35	11.0	1.5 ~ 2.0	37.0	0.6	32.0	45.0	56.0	25.0	3.5x7.0	32.0	20.0	13.0
	13.0	1.7 ~ 2.5	37.0	0.6	32.0	46.5	56.5	25.0	3.5x6.5	34.0	20.0	15.0
	14.0	1.8 ~ 2.7	37.0	0.6	32.0	46.5	56.5	25.0	3.5x6.5	35.0	20.0	16.0
	15.0	2.0 ~ 3.3	37.0	0.6	32.0	46.0	56.5	25.0	3.2x6.6	36.0	20.0	17.0
EI-41	16.5	4.0 ~ 5.8	43.0	0.6	36.0	53.0	64.0	29.0	3.5x7.0	38.0	21.5	18.5
	17.5	4.5 ~ 6.5	43.0	0.6	36.0	53.0	64.0	29.0	3.8x7.0	39.0	21.5	20.0
	19.0	5.0 ~ 7.8	43.0	0.6	35.5	54.0	64.5	29.0	3.2x7.0	42.5	21.5	21.0
EI-48	18.0	8.5 ~ 11.5	50.5	0.7	43.0	60.0	71.0	32.0	3.5x8.0	40.0	24.5	21.0
	18.5	9.0 ~ 12.0	50.5	0.7	43.0	60.0	71.0	32.0	3.5x8.0	40.0	24.5	21.0
	21.0	9.5 ~ 13.0	50.5	0.7	43.5	60.0	71.5	32.0	4.0x7.4	43.0	24.5	24.0
	23.5	12.0 ~ 16.0	50.5	0.7	43.0	62.0	73.5	32.0	3.5x7.0	45.0	24.5	25.5
EI-57	24.5	17.0 ~ 28.0	59.5	0.8	50.0	73.0	84.5	38.0	4.7x8.8	52.0	29.0	27.0
	30.0	22.0 ~ 38.0	59.5	0.8	51.0	70.5	84.0	38.0	4.5x8.0	56.0	29.0	33.5



Core Size	Stack Thickness (mm)	Output Power (VA)	Dimensions (mm)									
			A	B	C	D	E	F	G	H	I	J
EI-28	11.5	0.9 ~ 1.3	27.0	0.5	30.0	33.5	43.0	18.0	2.9x4.6	30.0	20.0	14.0
EI-35	11.0	1.5 ~ 2.0	31.5	0.6	37.5	39.5	50.0	20.0	3.4x7.0	32.0	25.0	13.0
	13.0	1.7 ~ 2.5	31.4	0.6	37.5	39.5	50.0	20.0	3.4x7.0	34.0	25.0	15.0
	14.0	1.8 ~ 2.7	31.5	0.6	37.0	40.0	50.0	20.0	3.5x6.0	35.0	25.0	16.0
	15.0	2.0 ~ 3.3	31.5	0.6	37.5	40.0	50.0	20.0	3.5x6.0	36.0	25.0	17.0
EI-41	16.5	4.0 ~ 5.8	35.0	0.6	44.0	46.0	57.5	21.5	3.5x7.0	38.0	29.0	18.5
	17.5	4.5 ~ 6.5	35.0	0.6	44.0	45.5	56.5	21.5	3.5x7.0	39.0	29.0	20.0
	19.0	5.0 ~ 7.8	35.0	0.6	43.5	47.5	60.0	21.5	3.7x8.2	42.5	28.0	21.0
EI-48	18.5	9.0 ~ 12.0	42.0	0.7	51.0	52.5	65.0	24.5	4.0x7.0	40.0	32.0	21.0
	21.0	9.5 ~ 13.0	42.0	0.7	51.5	55.0	68.0	24.5	3.5x7.0	43.0	32.0	24.0
	23.5	12.0 ~ 16.0	42.0	0.7	51.5	56.0	68.0	24.5	4.1x7.7	45.0	32.0	25.5
EI-57	30.0	22.0 ~ 38.0	50.0	0.8	60.0	64.0	76.0	28.0	4.8x8.0	56.0	38.0	33.0

Remarks :-

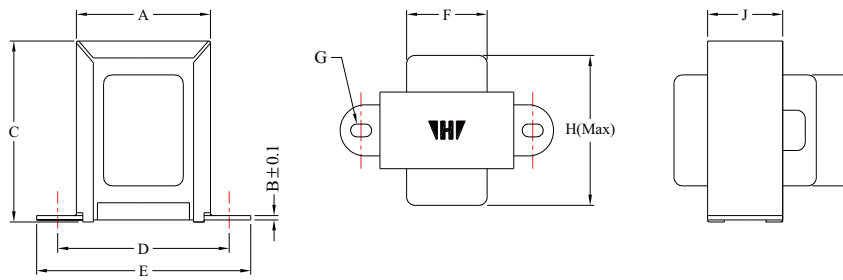
- 1) Construction is suitable for UL, CSA, JIS, VDE, BS, IEC, SAA, DEMKO, SEMKO or CCC standard.
- 2) Input voltage is AC 100V 50/60Hz, 115V 60Hz, 230V 50Hz or 240V 50Hz normally but customer special request is welcome.
- 3) For any further inquires about the safety approvals, output voltage or current, please feel free to contact our sales representative.



Core Size	Stack Thickness (mm)	Output Power (VA)	Dimensions (mm)									
			A	B	C	D	E	F	G	H	I	J
EI-28	11.0	0.8 ~ 1.2	30.0	0.6	27.5	37.5	46.0	22.5	2.9x4.6	36.0	21.5	14.0
EI-35	10.0	1.4 ~ 1.8	37.0	0.6	32.0	45.0	56.0	27.5	3.5x7.0	35.0	24.0	13.0
	11.0	1.5 ~ 2.0	37.0	0.6	32.0	45.0	56.0	27.5	3.5x7.0	36.0	24.0	14.0
	13.0	1.7 ~ 2.5	37.0	0.6	32.0	46.5	56.5	27.5	3.5x6.5	38.0	24.0	16.0
	14.0	1.8 ~ 2.7	37.0	0.6	32.0	46.0	56.5	27.5	3.2x6.6	39.0	24.0	17.0
	15.0	2.0 ~ 3.3	37.0	0.6	32.0	46.5	57.0	27.5	3.5x6.3	39.0	24.0	18.0
EI-41	14.0	3.0 ~ 4.5	43.0	0.6	36.0	53.0	64.0	32.0	3.8x7.0	39.0	26.0	17.5
	16.5	4.0 ~ 5.8	43.0	0.6	36.0	53.0	64.0	32.0	3.8x7.0	41.0	26.0	20.0
	17.5	4.5 ~ 6.0	43.0	0.6	36.0	53.0	64.0	32.0	4.0x7.0	43.0	26.0	21.0
	19.0	5.0 ~ 7.0	43.0	0.6	36.0	53.0	64.0	32.0	3.5x6.7	45.0	26.0	22.0
EI-48	18.0	7.5 ~ 10.5	50.5	0.7	43.0	61.0	71.5	37.5	4.0x7.0	46.0	30.5	21.0
	21.0	8.5 ~ 12.0	50.5	0.7	43.5	60.0	71.5	37.5	4.0x7.4	49.0	30.5	24.0
	23.0	10.5 ~ 14.0	50.5	0.7	43.0	61.5	71.5	37.5	4.0x6.2	51.0	30.5	26.5
	26.0	12.0 ~ 20.0	50.5	0.7	43.0	60.0	71.5	38.0	4.0x7.0	54.0	30.0	29.5
EI-54	24.0	15.0 ~ 21.5	56.0	0.8	48.5	69.5	81.0	43.0	4.5x6.5	55.0	34.0	27.5
EI-57	24.0	15.5 ~ 23.0	59.5	0.8	51.0	70.0	84.0	45.0	4.3x7.8	57.0	36.0	27.5

Remarks :-

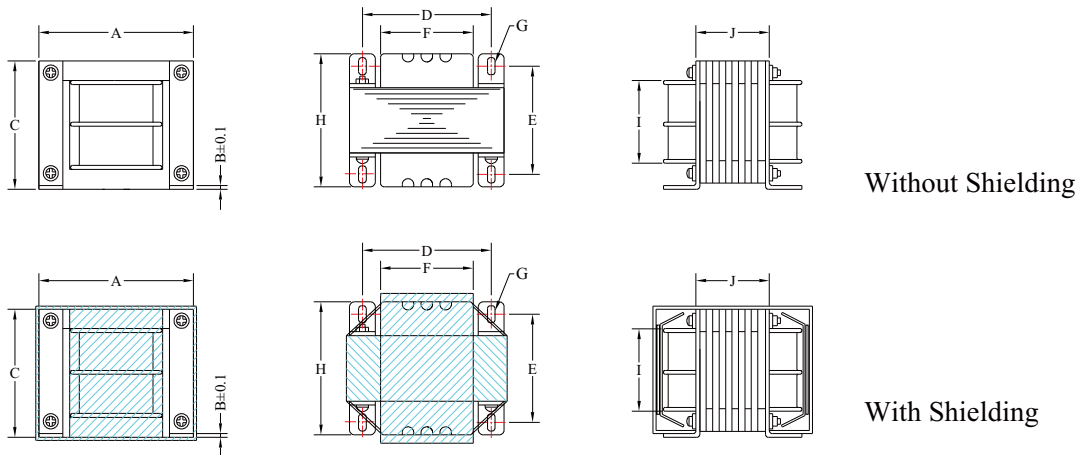
- 1) Construction is suitable for UL, CSA, JIS, VDE, BS, IEC, SAA, DEMKO, SEMKO or CCC standard.
- 2) Input voltage is AC 100V 50/60Hz, 115V 60Hz, 230V 50Hz or 240V 50Hz normally but customer special request is welcome.
- 3) For any further inquiries about the safety approvals, output voltage or current, please feel free to contact our sales representative.



Core Size	Stack Thickness (mm)	Output Power (VA)	Dimensions (mm)									
			A	B	C	D	E	F	G	H	I	J
EI-28	11.0	0.8 ~ 1.2	27.0	0.5	30.0	33.5	43.0	21.5	2.9x4.6	36.0	22.5	14.5
EI-35	10.0	1.4 ~ 1.8	31.5	0.6	37.5	39.5	50.0	24.0	3.4x7.0	35.0	27.5	13.0
	11.0	1.5 ~ 2.0	31.5	0.6	37.5	40.0	50.0	24.0	3.0x6.5	36.0	27.5	14.0
	13.0	1.7 ~ 2.5	31.5	0.6	37.5	40.0	50.0	24.0	3.5x6.0	38.0	27.5	16.0
	14.0	1.8 ~ 2.7	31.5	0.6	37.5	40.0	50.0	24.0	3.5x6.0	39.0	27.5	17.0
	15.0	2.0 ~ 3.3	31.5	0.6	37.5	40.5	52.5	24.0	3.5x6.5	39.0	27.5	18.0
EI-41	14.0	3.0 ~ 4.5	35.0	0.6	43.5	43.5	55.5	25.5	3.5x6.5	39.0	32.0	17.5
	16.5	4.0 ~ 5.8	35.0	0.6	44.0	45.5	56.5	26.0	3.5x7.0	41.0	32.0	20.0
	17.5	4.5 ~ 6.0	35.0	0.6	43.5	43.5	55.5	25.5	3.5x6.5	43.0	32.0	21.0
	19.0	5.0 ~ 7.0	35.0	0.6	43.5	43.5	56.0	26.0	3.5x6.8	45.0	32.0	22.0
	20.0	6.0 ~ 8.0	35.0	0.6	44.0	43.5	55.5	26.0	3.5x6.5	44.0	32.0	23.0
EI-48	18.0	7.5 ~ 10.5	42.5	0.7	51.0	53.5	64.5	30.0	3.5x7.0	46.0	38.0	21.0
	21.0	8.5 ~ 12.0	42.0	0.7	51.5	55.0	68.0	30.0	3.5x7.0	49.0	38.0	24.0
	23.0	10.5 ~ 14.0	42.0	0.7	51.5	51.5	63.0	30.0	4.0x6.2	51.0	38.0	26.5
EI-54	24.0	15.0 ~ 21.5	47.5	0.7	57.0	57.5	69.0	33.0	4.0x7.0	55.0	42.0	28.0
EI-57	24.0	15.5 ~ 23.0	50.0	0.8	60.0	62.0	75.0	36.0	4.5x7.0	57.0	45.0	28.0

Remarks :-

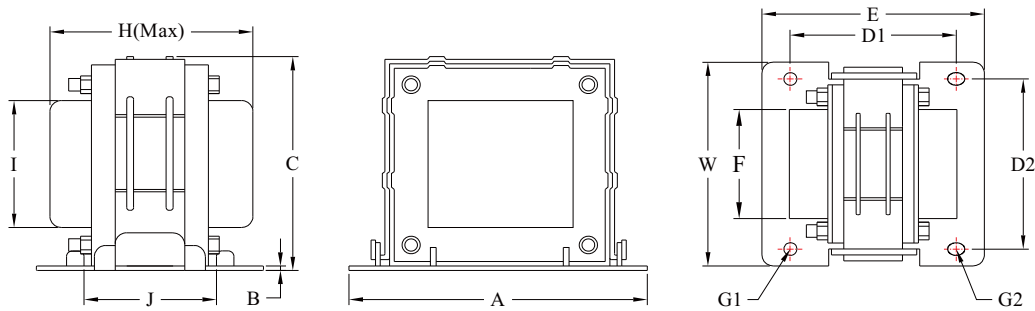
- 1) Construction is suitable for UL, CSA, JIS, VDE, BS, IEC, SAA, DEMKO, SEMKO or CCC standard.
- 2) Input voltage is AC 100V 50/60Hz, 115V 60Hz, 230V 50Hz or 240V 50Hz normally but customer special request is welcome.
- 3) For any further inquiries about the safety approvals, output voltage or current, please feel free to contact our sales representative.



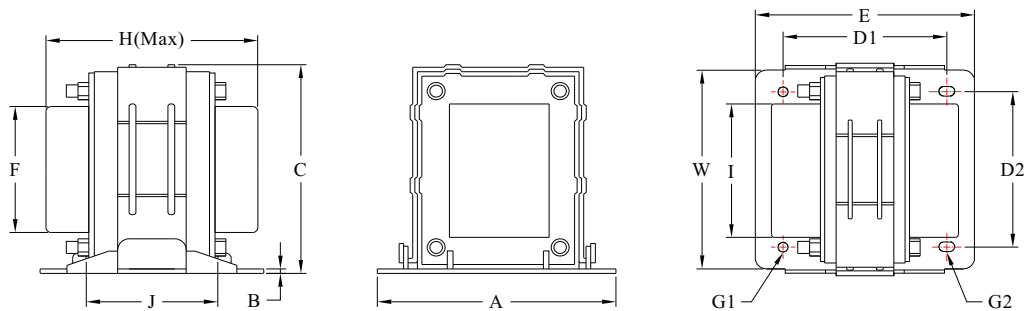
Core Size	Stack Thickness (mm)	Output Power (VA)	Dimensions (mm)									
			A	B	C	D	E	F	G	H	I	J
EI-76	36.0	42 ~ 60	76.5	1.2	64.0	64.0	53.0	50.5	5.0x7.0	68.0	38.0	38.5
	40.0	56 ~ 80	76.5	1.2	64.0	64.0	58.3	50.5	5.0x7.0	73.5	38.0	43.5
	45.0	70 ~ 100	76.5	1.2	64.0	64.0	62.5	50.5	5.0x7.0	77.5	38.0	48.0
	50.7	85 ~ 125	76.5	1.2	64.0	64.0	68.0	50.5	5.0x7.0	83.0	38.0	53.5
	55.0	100 ~ 150	76.5	1.2	64.0	64.0	72.5	50.5	5.0x7.0	87.5	38.0	58.0
	60.0	125 ~ 180	76.5	1.2	64.0	64.0	77.5	50.5	5.0x7.0	92.5	38.0	63.0
EI-86	40.0	74 ~ 105	86.5	1.5	75.0	71.0	59.0	57.0	6.0x7.5	74.5	42.5	44.5
	46.0	90 ~ 130	86.5	1.5	78.0	71.0	64.5	57.0	6.0x7.5	80.0	42.5	50.0
	50.0	100 ~ 180	86.5	1.5	78.0	71.0	68.2	57.0	6.0x7.5	84.0	42.5	54.0
	60.0	150 ~ 230	86.5	1.5	78.0	71.0	78.2	57.0	6.0x7.5	94.0	42.5	64.0
EI-96	40.0	91 ~ 130	96.5	1.5	80.5	79.0	63.5	63.5	4.3x11.5	82.5	48.0	43.5
	45.0	115 ~ 165	96.5	1.5	80.5	79.0	68.5	63.5	4.3x11.5	87.5	48.0	48.5
	50.0	140 ~ 200	96.5	1.5	80.5	79.0	73.5	63.5	4.3x11.5	92.5	48.0	53.5
	55.5	160 ~ 230	96.5	1.5	80.5	79.0	79.0	63.5	4.3x11.5	98.0	48.0	59.0
	67.0	210 ~ 300	96.5	1.5	80.5	79.0	90.5	63.5	4.3x11.5	109.5	48.0	70.5
	70.0	250 ~ 350	96.5	1.5	80.5	79.0	93.0	63.5	4.3x11.5	112.5	48.0	73.5
EI-114	40.5	140 ~ 200	114.5	1.5	95.5	95.0	61.0	75.0	7.0x10.0	79.0	57.0	44.0
	50.5	210 ~ 300	114.5	1.5	95.5	95.0	71.0	75.0	7.0x10.0	89.0	57.0	54.0
	55.0	245 ~ 350	114.5	1.5	95.5	95.0	75.5	75.0	7.0x10.0	93.5	57.0	58.5
	60.0	290 ~ 415	114.5	1.5	95.5	95.0	81.5	75.0	7.0x10.0	99.5	57.0	64.5
	65.0	320 ~ 460	114.5	1.5	95.5	95.0	85.5	75.0	7.0x10.0	103.5	57.0	68.5
	70.0	350 ~ 500	114.5	1.5	95.5	95.0	91.0	75.0	7.0x10.0	109.0	57.0	74.0

Remarks :-

- 1) Construction is suitable for UL, CSA, JIS, VDE, BS, IEC, SAA, DEMKO, SEMKO or CCC standard.
- 2) Input voltage is AC 100V 50/60Hz, 115V 60Hz, 230V 50Hz or 240V 50Hz normally but customer special request is welcome.
- 3) For any further inquiries about the safety approvals, output voltage or current, please feel free to contact our sales representative.



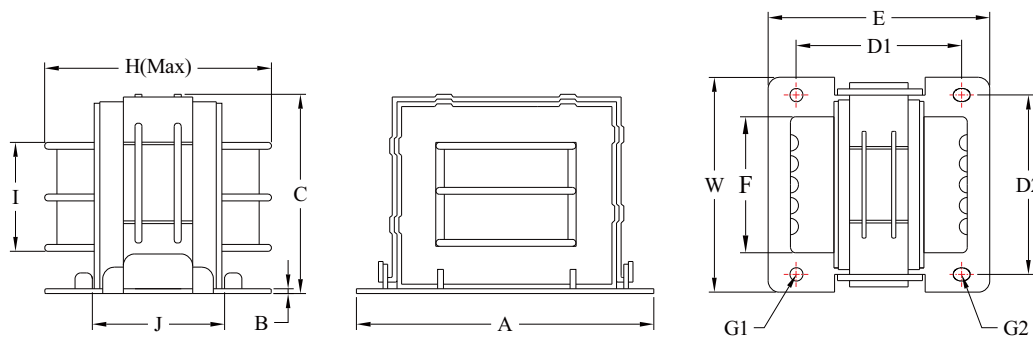
Core Size	Stack Thickness (mm)	Output Power (VA)	Dimensions (mm)												
			A	B	C	D1	D2	E	F	G1	G2	H	I	J	W
EI-66	28.0	25 ~ 42	80.0	1.0	62.0	49.0	65.0	59.0	49.5	5.0	5.0	66.0	40.0	31.0	80.0
	32.0	30 ~ 55	80.0	1.0	62.0	49.0	65.0	59.0	49.5	5.0	5.0	70.0	40.0	35.0	80.0
	36.0	35 ~ 62	80.0	1.0	62.0	49.0	65.0	59.0	49.5	5.0	5.0	73.5	40.0	39.0	80.0
EI-76	40.0	56 ~ 80	88.0	1.5	70.0	77.0	75.0	91.0	56.0	4.5	4.5x6.5	74.0	45.0	43.0	88.0
	50.0	85 ~ 125	88.0	1.5	70.0	77.0	75.0	91.0	56.0	4.5	4.5x6.5	84.0	45.0	53.0	88.0
	56.0	100 ~ 150	90.0	1.5	71.0	72.0	68.0	90.0	56.0	4.5	4.5x6.5	88.0	45.0	59.0	90.0
	60.0	125 ~ 180	90.0	1.5	71.0	72.0	68.0	90.0	56.0	4.5	4.5x6.5	95.0	45.0	60.5	90.0
EI-96	40.0	90 ~ 130	104.0	1.5	86.0	90.0	90.0	118.0	69.0	5.5	5.5x6.5	85.0	54.0	43.0	106.0
	45.0	115 ~ 165	104.0	1.5	86.0	90.0	90.0	118.0	69.0	5.5	5.5x6.5	89.0	54.0	48.0	106.0
	50.0	140 ~ 200	104.0	1.5	86.0	90.0	90.0	118.0	69.0	5.5	5.5x6.5	95.0	54.0	52.0	106.0
	70.0	220 ~ 330	104.0	1.5	86.0	90.0	90.0	118.0	69.0	5.5	5.5x6.5	114.0	54.0	73.0	106.0



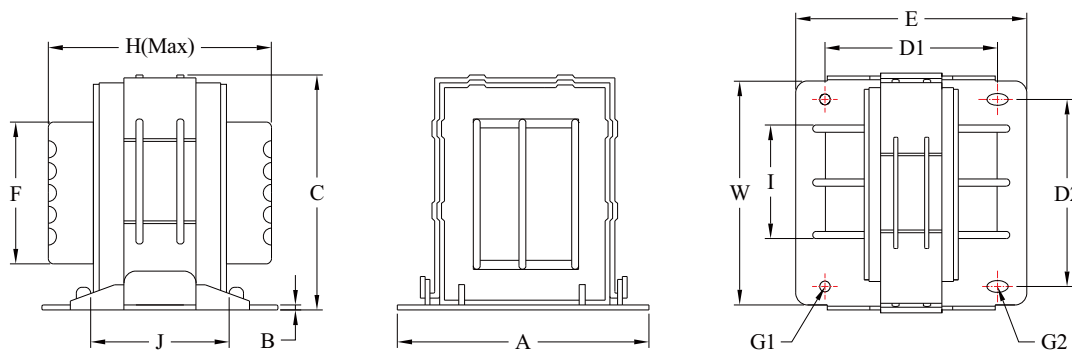
Core Size	Stack Thickness (mm)	Output Power (VA)	Dimensions (mm)												
			A	B	C	D1	D2	E	F	G1	G2	H	I	J	W
EI-66	28.0	25 ~ 42	60.0	1.2	71.5	65.0	50.0	78.0	49.5	4.5	4.5x6.5	66.0	40.0	31.0	60.0
	32.0	30 ~ 55	60.0	1.2	71.5	65.0	50.0	78.0	49.5	4.5	4.5x6.5	70.0	40.0	35.0	60.0
	36.0	35 ~ 62	60.0	1.2	71.5	65.0	50.0	78.0	49.5	4.5	4.5x6.5	73.5	40.0	39.0	60.0
	45.0	45 ~ 78	60.0	1.2	75.0	65.0	50.0	78.0	49.5	4.5	4.5x6.5	77.0	40.0	48.0	60.0
EI-76	40.0	56 ~ 80	90.0	1.5	82.0	85.0	78.0	110.0	56.0	4.5	4.5x6.5	74.0	45.0	43.0	90.0
	50.0	85 ~ 125	92.0	1.5	82.0	65.0	80.0	80.5	56.0	4.5	4.5x6.5	84.0	45.0	45.5	92.0
	56.0	100 ~ 150	84.0	1.5	82.0	72.5	68.0	88.5	56.0	4.3	4.3	88.0	45.0	59.0	84.0
EI-96	40.0	90 ~ 130	88.0	1.5	101.5	85.0	76.0	110.0	64.0	5.0	5.0	85.0	54.0	43.0	88.0
	45.0	115 ~ 165	88.0	1.5	101.5	85.0	76.0	110.0	64.0	5.0	5.0	89.0	54.0	48.0	88.0
	50.0	140 ~ 200	88.0	1.5	101.5	85.0	76.0	110.0	64.0	5.0	5.0	95.0	54.0	53.0	88.0
	70.0	220 ~ 330	88.0	1.5	101.5	85.0	76.0	110.0	64.0	5.0	5.0	114.0	54.0	73.0	88.0

Remarks :-

- 1) Construction is suitable for UL, CSA, JIS, VDE, BS, IEC, SAA, DEMKO, SEMKO or CCC standard.
- 2) Input voltage is AC 100V 50/60Hz, 115V 60Hz, 230V 50Hz or 240V 50Hz normally but customer special request is welcome.
- 3) For any further inquiries about the safety approvals, output voltage or current, please feel free to contact our sales representative.



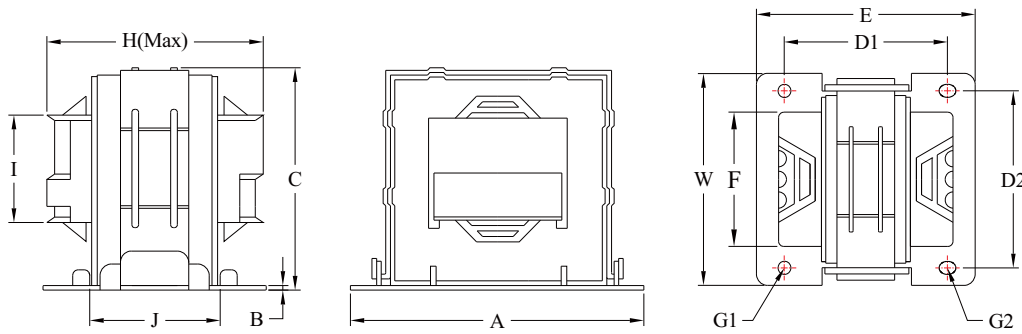
Core Size	Stack Thickness (mm)	Output Power (VA)	Dimensions (mm)												
			A	B	C	D1	D2	E	F	G1	G2	H	I	J	W
EI-66	28.0	25 ~ 42	80.0	1.0	62.0	49.0	65.0	59.0	49.5	5.0	5.0	66.0	40.0	31.0	80.0
	32.0	30 ~ 55	80.0	1.0	62.0	49.0	65.0	59.0	49.5	5.0	5.0	70.0	40.0	35.0	80.0
	36.0	35 ~ 62	80.0	1.0	62.0	49.0	65.0	59.0	49.5	5.0	5.0	73.5	40.0	39.0	80.0
EI-76	40.0	56 ~ 80	88.0	1.5	70.0	77.0	75.0	91.0	50.0	4.5	4.5x6.5	68.0	39.0	41.3	88.0
	50.0	85 ~ 125	88.0	1.5	70.0	77.0	75.0	91.0	50.0	4.5	4.5x6.5	78.0	39.0	52.0	88.0
	56.0	100 ~ 150	90.0	1.5	71.0	72.0	68.0	90.0	50.0	4.5	4.5x6.5	84.0	39.0	57.0	90.0
	60.0	125 ~ 180	90.0	1.5	71.0	72.0	68.0	90.0	50.0	4.5	4.5x6.5	95.0	39.0	60.5	90.0
EI-86	51.0	110 ~ 160	93.8	1.5	77.5	91.0	81.5	114.0	57.0	4.0	4.0x7.0	85.0	45.0	51.4	93.8
	60.0	120 ~ 180	92.5	1.5	77.5	97.5	84.0	112.0	57.0	4.5	4.5x8.0	95.0	45.0	62.0	92.5
EI-96	40.0	90 ~ 130	106.0	1.5	86.0	90.0	90.0	118.0	63.0	5.5	5.5x6.5	79.0	48.0	41.0	106.0
	45.0	115 ~ 165	106.0	1.5	86.0	90.0	90.0	118.0	63.0	5.5	5.5x6.5	84.0	48.0	46.0	106.0
	50.0	140 ~ 200	106.0	1.5	86.0	90.0	90.0	118.0	63.0	5.5	5.5x6.5	89.0	48.0	52.0	106.0
	70.0	220 ~ 330	106.0	1.5	86.0	90.0	90.0	118.0	63.0	5.5	5.5x6.5	109.0	48.0	71.0	106.0
EI-114	70.0	300 ~ 500	121.0	2.0	106.0	90.0	95.0	123.0	76.0	6.2x12	6.2x12	130.0	57.0	72.7	121.0



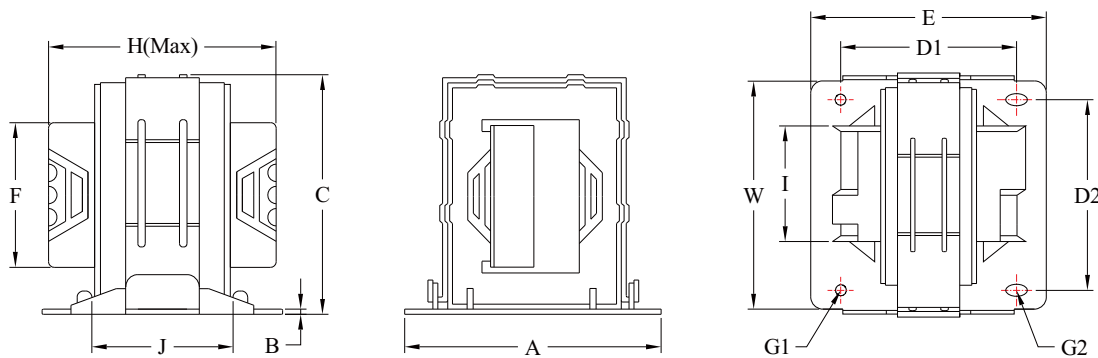
Core Size	Stack Thickness (mm)	Output Power (VA)	Dimensions (mm)												
			A	B	C	D1	D2	E	F	G1	G2	H	I	J	W
EI-66	28.0	25 ~ 42	60.0	1.2	71.5	65.0	50.0	78.0	44.0	4.5	4.5x6.5	60.0	33.0	30.0	60.0
	32.0	30 ~ 55	60.0	1.2	71.5	65.0	50.0	78.0	44.0	4.5	4.5x6.5	64.0	33.0	34.0	60.0
	36.0	35 ~ 62	60.0	1.2	71.5	65.0	50.0	78.0	44.0	4.5	4.5x6.5	68.0	33.0	38.0	60.0
	45.0	45 ~ 78	60.0	1.2	75.0	65.0	50.0	78.0	44.0	4.5	4.5x6.5	77.0	33.0	46.2	60.0
	50.0	80 ~ 120	66.2	1.5	71.5	70.0	54.0	90.7	44.0	4.2	4.2	82.0	33.0	51.0	66.2
EI-76	40.0	56 ~ 80	90.0	1.5	82.0	85.0	78.0	110.0	50.0	4.5	4.5x6.5	68.0	39.0	41.0	90.0
	50.0	85 ~ 125	92.0	1.5	82.0	65.0	80.5	80.5	50.0	4.5	4.5x6.5	78.0	39.0	53.5	90.0
	56.0	100 ~ 150	84.0	1.5	82.0	72.5	68.0	88.5	50.0	4.3	4.3	84.0	39.0	61.0	84.0
EI-86	60.0	120 ~ 180	90.0	1.5	95.0	85.0	76.0	110.0	56.6	4.5	4.5x5.5	95.0	45.0	61.2	90.0
EI-96	40.0	90 ~ 130	88.0	1.5	101.5	85.0	76.0	110.0	63.0	5.0	5.0	79.0	48.0	41.0	88.0
	45.0	115 ~ 165	88.0	1.5	101.5	85.0	76.0	110.0	63.0	5.0	5.0	84.0	48.0	46.0	88.0
	50.0	140 ~ 200	88.0	1.5	101.5	85.0	76.0	110.0	63.0	5.0	5.0	89.0	48.0	54.5	88.0
	70.0	220 ~ 330	88.0	1.5	101.5	85.0	76.0	110.0	63.0	5.0	5.0	110.0	48.0	75.0	88.0

Remarks :-

- 1) Construction is suitable for UL, CSA, JIS, VDE, BS, IEC, SAA, DEMKO, SEMKO or CCC standard.
- 2) Input voltage is AC 100V 50/60Hz, 115V 60Hz, 230V 50Hz or 240V 50Hz normally but customer special request is welcome.
- 3) For any further inquiries about the safety approvals, output voltage or current, please feel free to contact our sales representative.



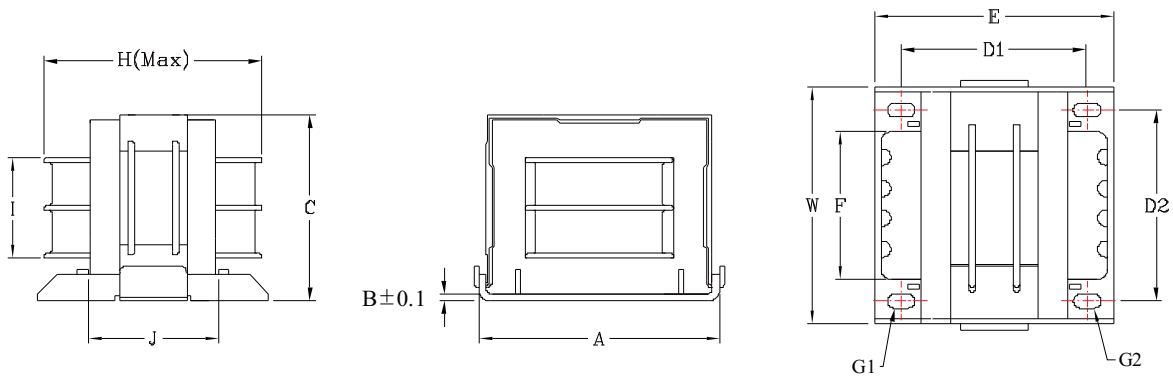
Core Size	Stack Thickness (mm)	Output Power (VA)	Dimensions (mm)												
			A	B	C	D1	D2	E	F	G1	G2	H	I	J	W
EI-66	28.0	26 ~ 45	80.0	1.0	62.0	49.0	65.0	59.0	49.5	5.0	5.0	66.0	40.0	31.0	80.0
	32.0	36 ~ 65	80.0	1.0	62.0	49.0	65.0	59.0	49.5	5.0	5.0	70.0	40.0	35.0	80.0
	36.0	35 ~ 62	80.0	1.0	62.0	49.0	65.0	59.0	49.5	5.0	5.0	73.5	40.0	39.0	80.0
EI-76	40.0	60 ~ 80	88.0	1.5	70.0	77.0	75.0	91.0	51.0	4.5	4.5x6.5	78.0	38.5	41.3	88.0
	42.0	65 ~ 88	88.0	1.5	70.0	77.0	75.0	91.0	51.0	4.5	4.5x6.5	80.0	38.5	43.0	88.0
	56.0	110 ~ 150	90.0	1.5	71.0	72.0	68.0	90.0	51.0	4.5	4.5x6.5	94.0	38.5	57.0	90.0
EI-86	51.0	110 ~ 160	93.8	1.5	77.5	91.0	81.5	114.0	58.0	4.0	4.0x7.0	86.0	43.0	51.4	93.8
	60.0	120 ~ 180	92.5	1.5	77.5	97.5	84.0	112.0	58.0	4.5	4.5x8.0	95.0	43.0	62.0	92.5
EI-96	45.0	140 ~ 180	106.0	1.5	86.0	90.0	90.0	118.0	64.0	5.5	5.5x6.5	85.0	48.0	46.0	106.0
	50.0	160 ~ 220	106.0	1.5	86.0	90.0	90.0	118.0	64.0	5.5	5.5x6.5	90.0	48.0	51.0	106.0
	55.0	180 ~ 260	106.0	1.5	86.0	90.0	90.0	118.0	64.0	5.5	5.5x6.5	95.0	48.0	56.0	106.0
EI-114	70.0	300 ~ 500	121.0	2.0	106.0	90.0	95.0	123.0	76.0	6.2x12	6.2x12	130.0	57.0	72.7	121.0



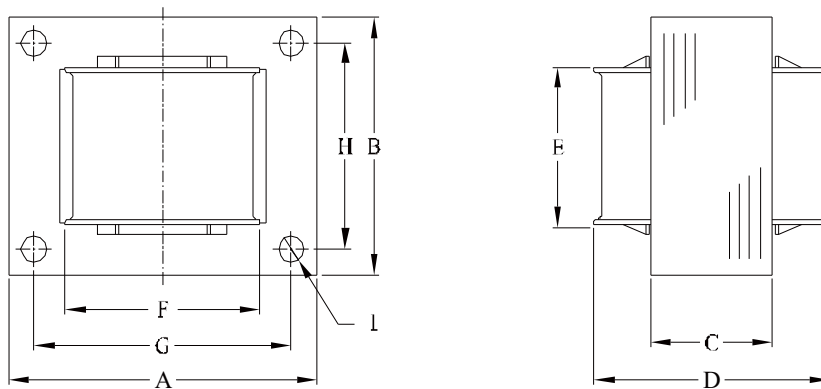
Core Size	Stack Thickness (mm)	Output Power (VA)	Dimensions (mm)												
			A	B	C	D1	D2	E	F	G1	G2	H	I	J	W
EI-66	28.0	26 ~ 45	60.0	1.2	71.5	65.0	50.0	78.0	44.0	4.5	4.5x6.5	60.0	33.0	29.0	60.0
	32.0	30 ~ 55	60.0	1.2	71.5	65.0	50.0	78.0	44.0	4.5	4.5x6.5	64.0	33.0	34.0	60.0
	36.0	36 ~ 65	60.0	1.2	71.5	65.0	50.0	78.0	44.0	4.5	4.5x6.5	68.0	33.0	37.0	60.0
	45.0	45 ~ 78	60.0	1.2	75.0	65.0	50.0	78.0	44.0	4.5	4.5x6.5	77.0	33.0	46.2	60.0
	50.0	50 ~ 90	66.2	1.5	71.5	70.0	54.0	90.7	44.0	4.2	4.2	81.0	33.0	51.0	66.0
EI-76	40.0	60 ~ 80	90.0	1.5	82.0	85.0	78.0	110.0	51.0	4.5	4.5x6.5	77.0	38.5	41.0	90.0
	42.0	65 ~ 88	92.0	1.5	82.0	65.0	80.0	80.5	51.0	4.5	4.5x6.5	79.0	38.5	43.0	92.0
	56.0	110 ~ 150	84.0	1.5	82.0	72.5	68.0	88.5	51.0	4.3	4.3	93.0	38.5	57.0	84.0
EI-86	60.0	120 ~ 180	90.0	1.5	95.0	85.0	76.0	110.0	56.6	4.5	4.5x5.5	95.0	45.0	61.2	90.0
EI-96	45.0	140 ~ 180	88.0	1.5	101.5	85.0	76.0	110.0	64.0	5.0	5.0	85.0	48.0	46.0	88.0
	50.0	160 ~ 220	88.0	1.5	101.5	85.0	76.0	110.0	64.0	5.0	5.0	90.0	48.0	51.0	88.0
	55.0	180 ~ 260	88.0	1.5	101.5	85.0	76.0	110.0	64.0	5.0	5.0	95.0	48.0	56.0	88.0

Remarks :-

- 1) Construction is suitable for UL, CSA, JIS, VDE, BS, IEC, SAA, DEMKO, SEMKO or CCC standard.
- 2) Input voltage is AC 100V 50/60Hz, 115V 60Hz, 230V 50Hz or 240V 50Hz normally but customer special request is welcome.
- 3) For any further inquiries about the safety approvals, output voltage or current, please feel free to contact our sales representative.



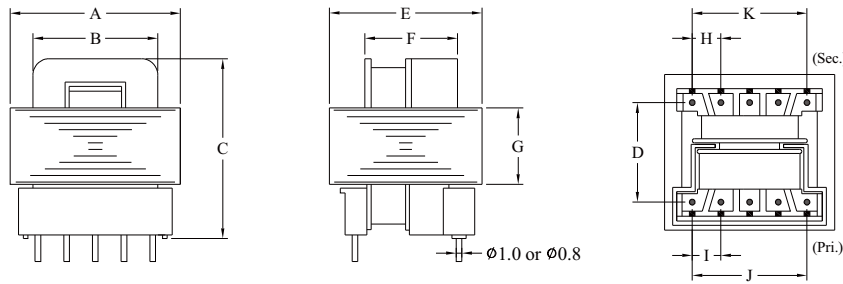
Core Size	Stack Thickness (mm)	Output Power (VA)	Dimensions (mm)											
			A	B	C	D1	D2	E	F	G1	G2	H	I	J
EI-114	70.0	350 ~ 500	125.0	1.5	102.0	90.0	95.0	123.0	75.0	6.2x12	6.2x12	95.0	57.0	72.7



Core Size	Stack Thickness (mm)	Output Power (VA)	Dimensions (mm)								
			A	B	C	D	E	F	G	H	I
EI-133	45.0	200 ~ 350	133.2	111.0	45.0	100.0	66.6	87.0	108.0	88.8	8.0
	75.0	700 ~ 800	133.2	111.0	75.0	125.0	66.6	87.0	108.0	88.8	8.0
EI-152	61.0	600 ~ 800	152.0	127.0	61.0	118.0	76.2	98.0	127.0	102.0	8.0

Remarks :-

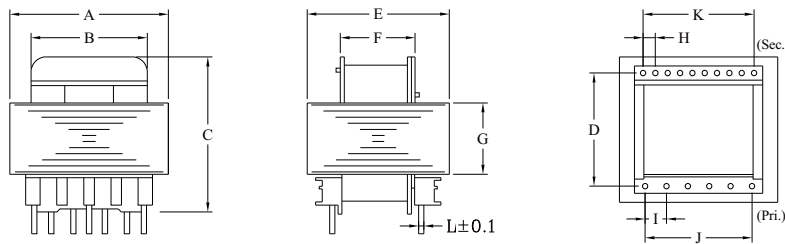
- 1) Construction is suitable for UL, CSA, JIS, VDE, BS, IEC, SAA, DEMKO, SEMKO or CCC standard.
- 2) Input voltage is AC 100V 50/60Hz, 115V 60Hz, 230V 50Hz or 240V 50Hz normally but customer special request is welcome.
- 3) For any further inquires about the safety approvals, output voltage or current, please feel free to contact our sales representative.



Core Size	Stack Thickness (mm)	Output Power (VA)	Dimensions (mm)										
			A	B	C	D	E	F	G	H	I	J	K
EI-28	12.0	0.5 ~ 1.8	28.2	20.0	26.0	19.0	25.2	17.0	12.2	5.0	5.0	5.0x3	5.0x3
	12.0	0.5 ~ 1.8	28.2	20.0	29.5	18.0	25.2	17.0	12.2	5.0	7.5	7.5x2	5.0x3
	14.0	0.5 ~ 2.5	28.2	20.0	30.7	22.7	25.2	17.0	14.2	5.0	7.5	7.5x3	5.0x4
EI-41	18.5	3.0 ~ 6.5	41.2	28.0	41.5	22.6	33.2	21.0	18.7	5.0	7.5	7.5x3	5.0x4
	21.0	5.5 ~ 8.0	41.2	28.0	42.0	22.2	33.2	21.0	21.2	5.0	7.5	7.5x3	5.0x5
EI-48	13.0	4.5 ~ 8.0	48.2	31.5	34.5	28.0	40.2	23.5	13.7	7.5	7.5	7.5x4	7.5x4
	15.0	6.5 ~ 9.0	48.2	31.5	37.5	28.0	40.2	23.5	15.7	7.5	7.5	7.5x4	7.5x4
	20.0	7.0 ~ 12.0	48.2	31.5	42.7	28.0	40.2	23.5	20.7	7.5	7.5	7.5x4	7.5x4
	20.5	7.0 ~ 12.0	48.2	31.5	44.7	28.0	40.2	23.5	20.7	8.0	8.0	8.0x4	8.0x3
	23.5	9.0 ~ 16.0	48.2	31.5	49.0	28.0	40.2	23.5	23.7	7.5	7.5	7.5x4	7.5x4
	25.0	12.0 ~ 17.0	48.2	31.5	47.0	28.0	40.2	23.5	25.7	7.5	7.5	7.5x4	7.5x4
	28.0	13.0 ~ 19.0	48.2	31.5	49.0	28.0	40.2	23.5	28.7	7.5	7.5	7.5x4	7.5x4
32.0	15.0 ~ 23.0	48.2	31.5	55.0	28.0	40.2	23.5	32.7	7.5	7.5	7.5x4	7.5x4	

Remarks :-

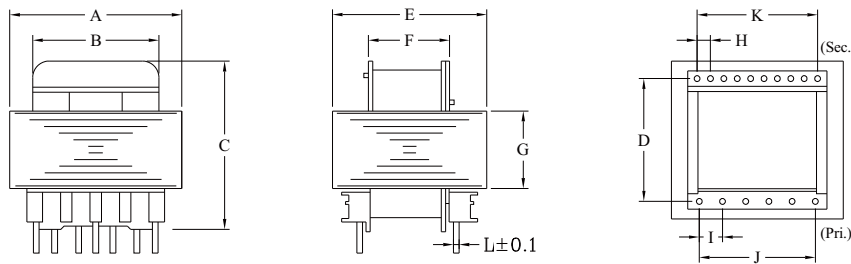
- 1) Construction is suitable for UL, CSA, JIS, VDE, BS, IEC, SAA, DEMKO, SEMKO or CCC standard.
- 2) Input voltage is AC 100V 50/60Hz, 115V 60Hz, 230V 50Hz or 240V 50Hz normally but customer special request is welcome.
- 3) For any further inquires about the safety approvals, output voltage or current, please feel free to contact our sales representative.



Core Size	Stack Thickness (mm)	Output Power (VA)	Dimensions (mm)											
			A	B	C	D	E	F	G	H	I	J	K	L
EI-28	12.0	0.5 ~ 2.0	28.2	20.0	26.0	19.0	25.2	17.0	12.2	5.0	5.0	5.0x3	5.0x3	0.8 or 1.0
	14.0	1.0 ~ 2.5	28.2	20.0	28.0	19.0	25.2	17.0	14.2	5.0	5.0	5.0x3	5.0x3	1.0
EI-35	12.0	1.5 ~ 2.8	35.2	24.5	34.0	21.0	29.8	19.5	12.5	7.5	5.0	7.5x2	5.0x3	0.8 or 1.0
	14.0	1.5 ~ 3.5	35.2	24.5	38.5	20.5	29.8	19.5	14.2	8.0+6.0	8.0+6.0	6.0x2+8.0	6.0x2+8.0	1.0
EI-41	10.0	2.0 ~ 3.5	41.2	28.0	33.6	22.5	33.2	21.0	10.6	5.0	7.5	7.5x3	5.0x5	1.0 or 1.2
	13.0	3.0 ~ 4.5	41.2	28.0	36.8	22.5	33.2	21.0	13.6	5.0	7.5	7.5x3	5.0x5	
	17.5	4.0 ~ 6.5	41.2	28.0	41.0	22.5	33.2	21.0	17.5	5.0	7.5	7.5x3	5.0x5	
	20.0	5.5 ~ 8.0	41.2	28.0	43.6	22.5	33.2	21.0	20.8	5.0	7.5	7.5x3	5.0x5	
	23.0	6.5 ~ 9.0	41.2	28.0	46.8	22.5	33.2	21.0	23.7	5.0	7.5	7.5x3	5.0x5	
	25.0	7.0 ~ 10.5	41.2	28.0	48.5	22.5	33.2	21.0	25.7	5.0	7.5	7.5x3	5.0x5	
EI-48	13.0	4.5 ~ 8.0	48.2	31.5	37.5	30.0	40.2	23.5	13.7	5.0	7.5	7.5x4	5.0x7	1.0 or 1.2
	15.0	6.5 ~ 9.0	48.2	31.5	39.3	30.0	40.2	23.5	15.6	5.0	7.5	7.4x4	5.0x7	
	17.0	7.0 ~ 10.0	48.2	31.5	41.2	30.0	40.2	23.5	17.6	5.0	7.5	7.5x4	5.0x7	
	20.0	8.0 ~ 12.0	48.2	31.5	44.3	30.0	40.2	23.5	20.5	5.0	7.5	7.5x4	5.0x7	
	23.0	11.5 ~ 16.0	48.2	31.5	48.0	30.0	40.2	23.5	23.0	5.0	7.5	7.5x4	5.0x7	
	25.0	12.0 ~ 17.0	48.2	31.3	50.0	32.0	40.2	23.5	25.0	5.0	7.5+5.0	7.5x3+ 5.0x2	5.0x7	
	27.0	13.5 ~ 19.0	48.2	31.3	52.3	30.0	40.2	23.5	27.0	5.0	7.5	7.5x4	5.0x7	
	30.0	15.0 ~ 22.0	48.2	31.3	55.3	30.0	40.2	23.5	30.0	5.0	7.5	7.5x4	5.0x7	
EI-54	23.0	14.0 ~ 20.0	54.2	34.5	47.4	35.0	45.2	26.5	23.2	5.0	7.0	7.0x5	5.0x6	1.0 or 1.2
	25.0	16.5 ~ 22.5	54.2	34.5	51.0	35.0	45.2	26.5	25.7	5.0	7.5	7.5x5	5.0x9	
	30.0	17.5 ~ 28.0	54.2	34.5	56.2	35.0	45.2	26.5	30.5	5.0	7.5	7.5x5	5.0x9	

Remarks :-

- 1) Construction is suitable for UL, CSA, JIS, VDE, BS, IEC, SAA, DEMKO, SEMKO or CCC standard.
- 2) Input voltage is AC 100V 50/60Hz, 115V 60Hz, 230V 50Hz or 240V 50Hz normally but customer special request is welcome.
- 3) For any further inquiries about the safety approvals, output voltage or current, please feel free to contact our sales representative.

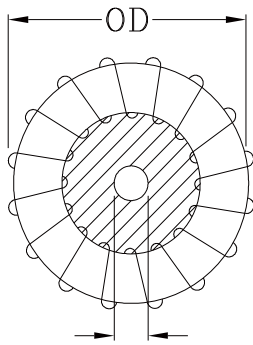
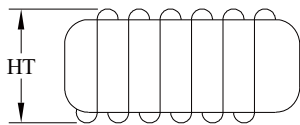
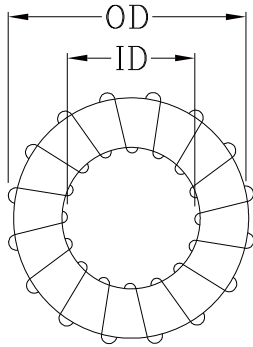
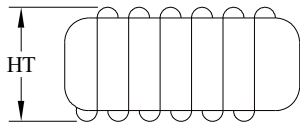


Core Size	Stack Thickness (mm)	Output Power (VA)	Dimensions (mm)											
			A	B	C	D	E	F	G	H	I	J	K	L
EI-57	18.0	11.0 ~ 17.5	57.2	37.0	44.0	36.0	47.8	28.0	19.2	5.5	7.5	7.5x5	5.5x9	1.2
	20.0	12.5 ~ 20.0	57.2	37.0	47.1	36.0	47.8	28.0	21.2	5.5	7.5	7.5x5	5.5x9	
	25.0	16.5 ~ 26.0	57.2	37.0	50.6	37.5	47.8	28.0	24.8	6.0	7.5	7.5x4	6.0x7	
	30.0	21.0 ~ 30.0	57.2	37.0	58.0	37.5	47.8	28.0	30.0	5.0	7.3	7.3x6	5.0x9	
	30.0	21.0 ~ 30.0	57.2	37.0	58.8	36.0	47.8	28.0	30.0	5.5	7.5	7.5x5	5.5x9	
	35.0	27.0 ~ 35.0	57.2	37.0	62.8	38.0	47.8	28.0	35.4	5.0	7.5+6.5	7.5x4+ 6.5x2	5.0x9	
	38.0	30.0 ~ 38.0	57.2	37.0	65.9	36.5	47.8	28.0	39.5	5.5	7.5	7.5x5	5.5x9	
	40.0	25.0 ~ 40.0	57.2	37.0	67.4	37.5	47.8	28.0	40.1	5.0	7.5+6.5	7.5x4+ 6.5x2	5.0x9	
EI-66	27.0	25.0 ~ 42.0	66.3	43.2	59.3	42.5	55.3	32.5	28.0	6.0	7.5	7.5x6	6.0x9	1.2
	30.0	28.0 ~ 50.0	66.3	43.2	60.9	43.0	55.3	32.5	30.3	6.0	7.5	7.5x6	6.0x9	
	32.0	30.0 ~ 55.0	66.3	43.2	63.3	42.5	55.3	32.5	32.0	6.0	7.5	7.5x6	6.0x9	
	36.0	35.0 ~ 62.0	66.3	43.2	65.0	42.5	55.3	32.5	36.0	6.0	7.5	7.5x6	6.0x9	
	40.0	40.0 ~ 70.0	66.3	43.2	68.6	42.0	55.3	32.5	40.6	6.0	7.5	7.5x6	6.0x9	
	45.0	45.0 ~ 80.0	66.3	43.2	76.3	42.5	55.3	32.5	45.0	6.0	7.5	7.5x6	6.0x9	
	50.0	50.0 ~ 88.0	66.3	43.2	79.0	42.5	55.3	32.5	50.0	6.0	7.5	7.5x6	6.0x9	
	55.0	60.0 ~ 95	66.3	43.2	84.2	42.5	55.3	32.5	55.3	6.0	7.5	7.5x6	6.0x9	
60.0	70.0 ~ 105	66.3	43.2	85.9	45.0	55.3	32.5	60.4	6.0	7.5	7.5x6	6.0x9		
EI-76	40.0	50.0 ~ 130	76.3	50.0	77.0	50.0	64.0	37.5	40.0	7.0	7.5	7.5x6	7.0x9	1.2
	50.0	55.0 ~ 170	76.3	50.0	87.0	58.0	64.0	38.5	50.0	7.5	7.5	7.5x6	7.5x11	
	60.0	60.0 ~ 200	76.3	50.0	97.0	58.0	64.0	38.0	60.0	7.5	7.5	7.5x6	7.5x11	
	65.0	65.0 ~ 220	76.3	50.0	102.0	50.5	64.0	38.0	65.0	7.5	8.0	8.0x6	7.0x9	
EI-86	58.0	80.0 ~ 250	86.3	43.2	98.0	55.0	72.0	42.5	58.4	7.5	7.5	7.5x6	7.5x9	1.2
	70.0	85.0 ~ 300	86.3	43.2	105.5	55.0	72.0	42.5	70.4	7.5	7.5	7.5x6	7.5x9	
EI-96	60.0	90.0 ~ 350	96.3	43.2	106.5	60.0	80.5	48.0	60.4	7.0	7.5	7.5x6	7.0x11	1.2
	70.0	180 ~ 405	96.3	43.2	112.0	55.5	80.5	48.0	70.6	8.8	8.7	8.8x6	8.8x9	

Remarks :-

- 1) Construction is suitable for UL, CSA, JIS, VDE, BS, IEC, SAA, DEMKO, SEMKO or CCC standard.
- 2) Input voltage is AC 100V 50/60Hz, 115V 60Hz, 230V 50Hz or 240V 50Hz normally but customer special request is welcome.
- 3) For any further inquires about the safety approvals, output voltage or current, please feel free to contact our sales representative.

Low Profile Type



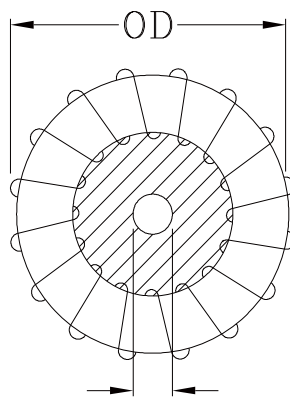
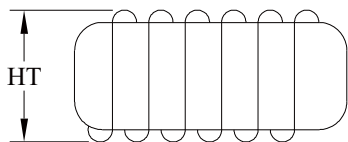
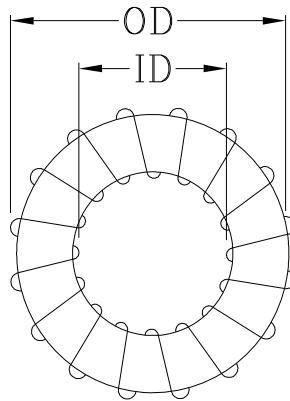
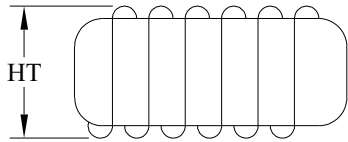
Screw Hole

Dimensions (mm)			Output Power (VA)
OD	HT	ID	
100	24	29	35 - 50
100	28	30	40 - 55
100	30	30	50 - 65
100	31	30	60 - 75
105	25	30	40 - 55
105	32	31	65 - 85
110	26	30	50 - 65
110	27	30	60 - 75
110	33	32	75 - 100
115	28	31	65 - 85
115	33	32	85 - 120
115	36	32	95 - 135
125	38	33	125 - 180
125	41	33	145 - 200
135	40	34	165 - 250
135	45	34	185 - 275
150	43	35	220 - 325
150	48	35	250 - 375
165	46	36	285 - 450
165	50	36	325 - 500
175	48	37	400 - 600
175	52	37	460 - 650
190	50	38	525 - 720
195	55	38	600 - 850
205	60	40	750 - 1000

Remarks :-

- 1) Construction is suitable for UL, CSA, JIS, VDE, BS, IEC, SAA, DEMKO, SEMKO or CCC standard.
- 2) Input voltage is AC 100V 50/60Hz, 115V 60Hz, 230V 50Hz or 240V 50Hz normally but customer special request is welcome.
- 3) For any further inquiries about the safety approvals, output voltage or current, please feel free to contact our sales representative.

General Type



Screw Hole

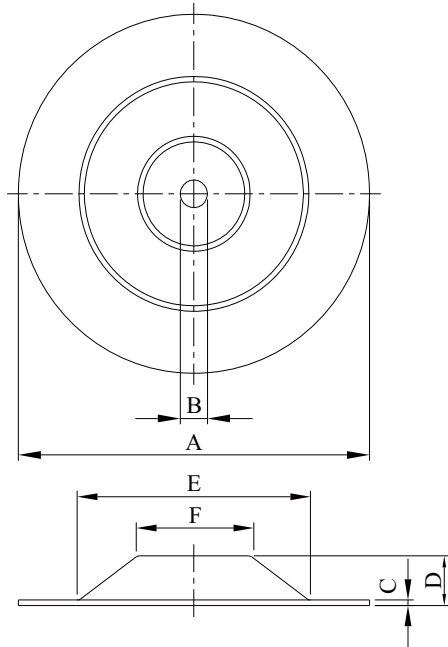
Dimensions (mm)			Power (VA)
OD	HT	ID	
80	31	29	35
98	28	30	50
97	38	31	80
98	44	32	100
108	45	33	150
112	42	34	200
118	57	35	250
130	55	35	300
115	68	36	300
125	66	36	350
132	68	37	400
135	73	37	500
143	63	37	500
150	75	38	700
140	85	39	700
155	80	40	850
156	86	42	1000
167	87	44	1200
178	88	46	1500
185	100	48	2000
205	105	50	2500
220	110	52	3000
235	115	54	3500
250	120	56	4000

Remarks :-

- 1) Construction is suitable for UL, CSA, JIS, VDE, BS, IEC, SAA, DEMKO, SEMKO or CCC standard.
- 2) Input voltage is AC 100V 50/60Hz, 115V 60Hz, 230V 50Hz or 240V 50Hz normally but customer special request is welcome.
- 3) For any further inquiries about the safety approvals, output voltage or current, please feel free to contact our sales representative.

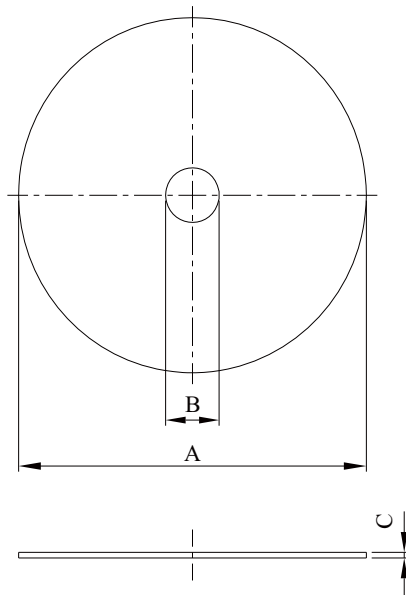
Toroidal Transformer Accessories

1) Fixing Metal Plate :-



Dimensions (mm)					
A	B	C	D	E	F
56	6.5	1.2	8.8	30	18
70	6.5	1.2	10	35	18
78	9	1.2	10.8	51	25
89	8.5	1.5	10	42	23
89	11	1.5	11.5	50	25
89	6.5	1.5	10	42	23
70	9	1.2	11	35	18

2) Rubber Plate :



Dimensions (mm)		
A	B	C
60	6.5	1
75	6.5	1.2
80	8.5	1.5
85	8.5	1.5
95	6.5	1.5
95	8.5	2
110	11	2

Remark :

Listed above is the most common dimension.
Customer special request are welcome also.