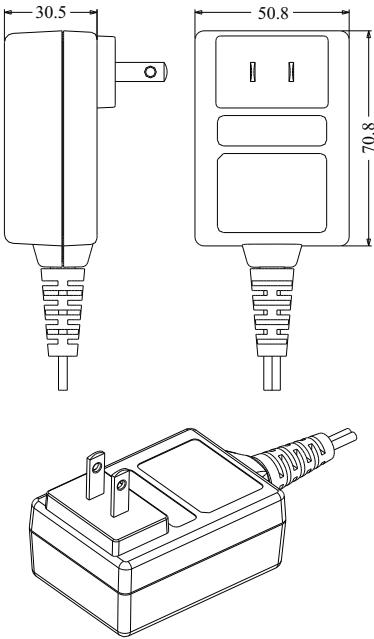
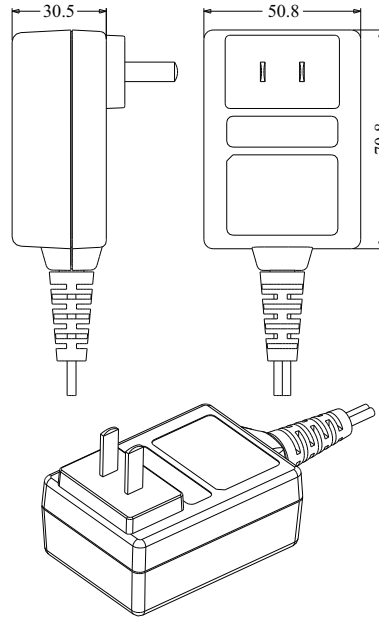


Direct Plug-in Type 20W series

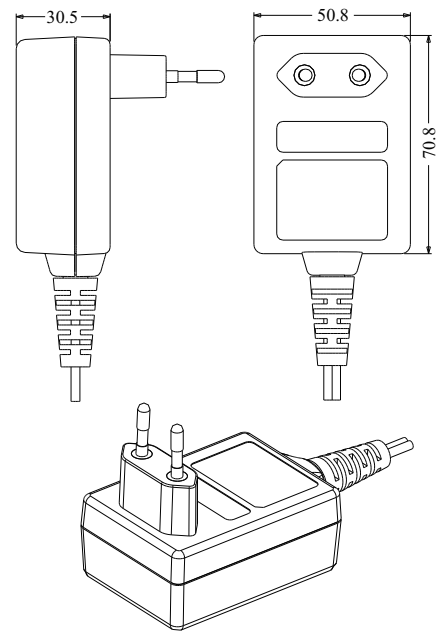
US/CAN version



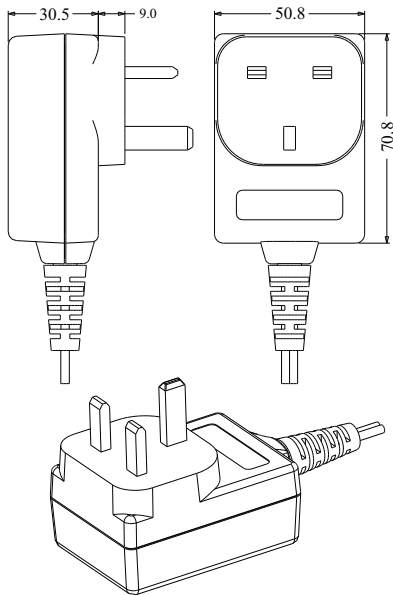
China version



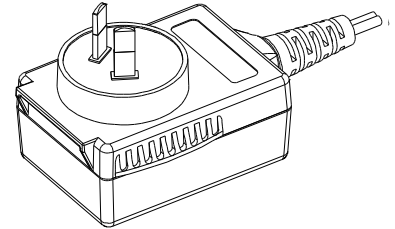
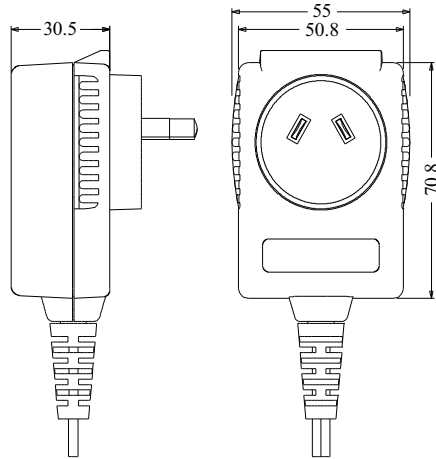
EU version



UK version



Australia version



Unit in mm

Type No	Output	
	Voltage	Current
SA15	5.0 - 25.0 V	0.8 - 3.0 A

Remarks :-

- 1) Input Voltage : AC 100-240V 50/60Hz
- 2) Weight per unit : approximate 150gm - 175gm
- 3) For any further inquires about the safety approvals, output voltage or current, please feel free to contact our sales representative