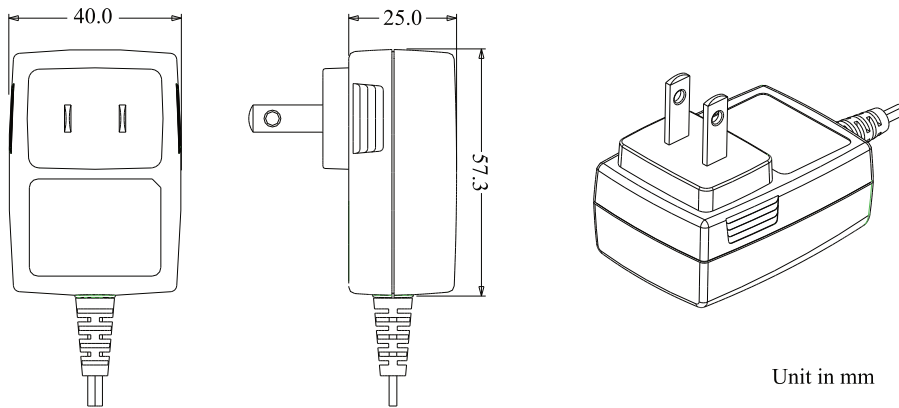
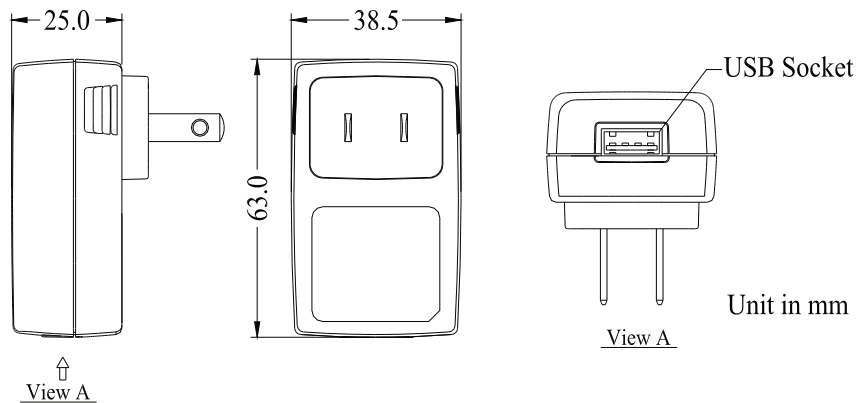


Direct Plug-in Type 4W series



Unit in mm

Type No	Output	
	Voltage	Current
SA40	3.0 - 15.0 V	0.1 - 1.0 A



Unit in mm

Type No	Output	
	Voltage	Current
SA38	5.00 V	0.2 - 0.8 A

Remarks :-

- 1) Input Voltage : AC 100-240V 50/60 Hz
- 2) Weight per unit : approximate 62gm
- 3) For any further inquires about the safety approvals, output voltage or current, please feel free to contact our sales representative