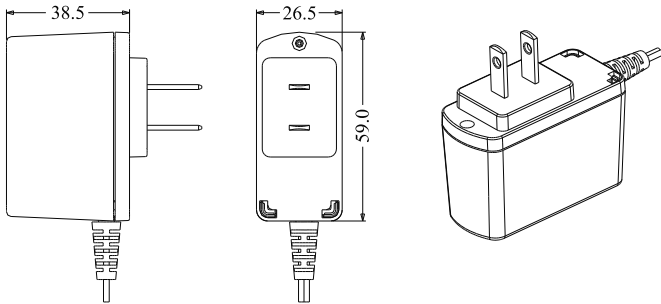
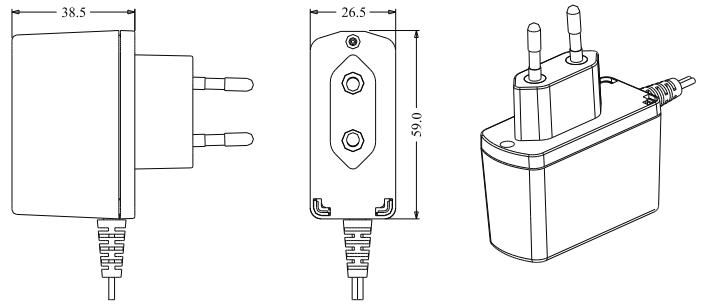


Direct Plug-in Type 5W series

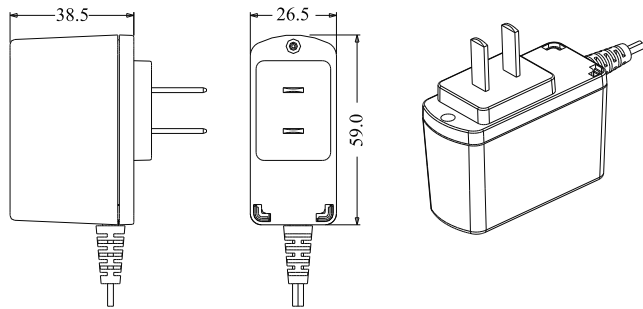
US/CAN version



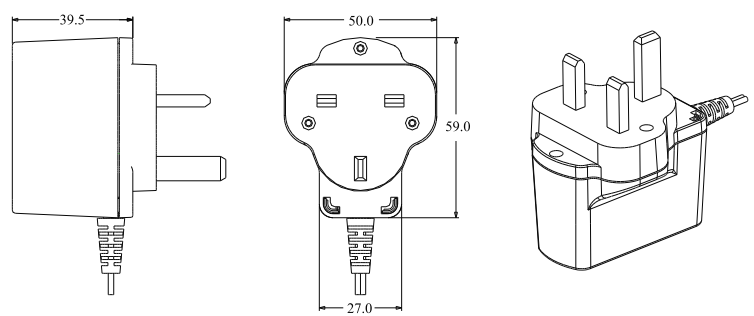
EU version



China version



UK version



Type No	Output	
	Voltage	Current
SA11	3.0 - 30.0 V	0.16 - 1.2 A

Remarks :-

- 1) Input Voltage : AC 100-240V 50/60Hz
- 2) Weight per unit : approximate 90gm - 115gm
- 3) For any further inquires about the safety approvals, output voltage or current, please feel free to contact our sales representative