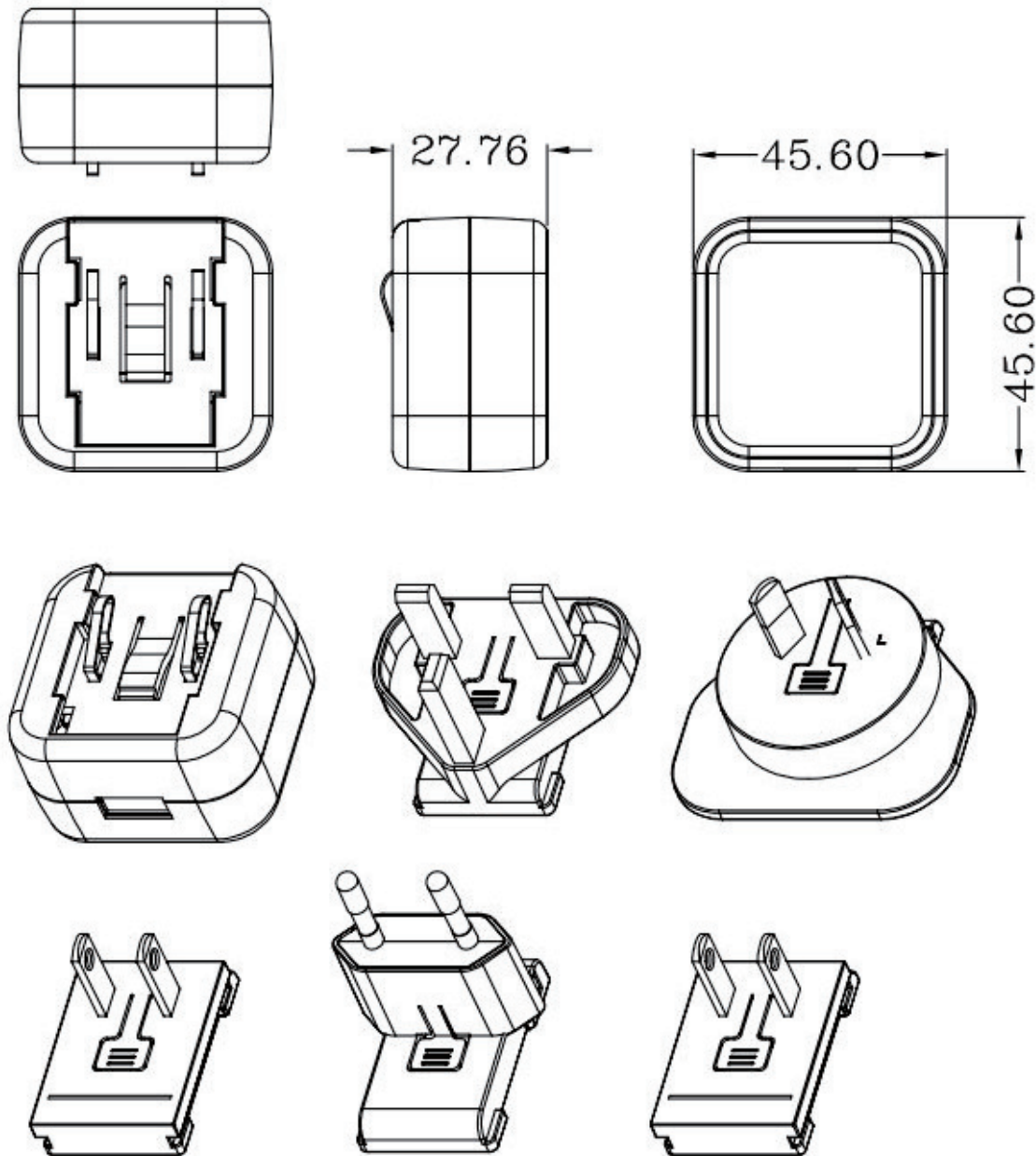


## Direct Plug-in Type 12W series



Type	Output	
	Voltage	Current
Changeable AC plug	DC 3.3 - 36 V	DC 0.10 - 2.40 A

### Remarks :-

- 1) Input Voltage : AC 100-240V 50/60Hz
- 2) Approved Safety Standard: UL/cUL60950/FCC/CB/CE EN60950/EMC/AS/NZS60950
- 3) Output Type : USB socket or DC cord
- 4) For any further inquires about the safety approvals, output voltage or current, please feel free to contact our sales representative