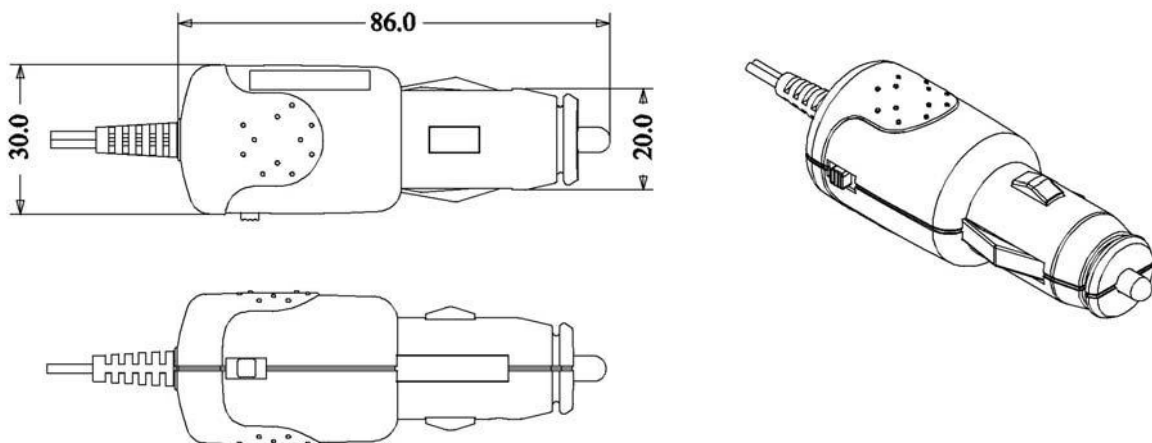


Type No	Input	Output	
		Voltage	Current
DQ03	10.8V - 28.0 V	1.5V - 4.5 V	0.3A - 1.0A
		4.5V - 6.0 V	0.3A - 0.7A
		6.0V - 9.0 V	0.3A - 0.5A
	10.8V - 16.5V	24.0V	0.1A - 0.2A

Remarks :-

- 1) Dimension unit in mm
- 2) Unit weight :- 60gm-75gm
- 3) For any further inquires about the safety approvals,output voltage or current, please feel free to contact our sales representative.



Type No	Input	Output	
		Voltage	Current
DQ04	10.8V - 28.0 V	3.0V - 6.0 V	0.3A - 1.2A
		6.0V - 9.0 V	0.3A - 1.0A
		10.8V - 16.5V	24.0V

Remarks:-

- 1) Dimension unit in mm
- 2) Unit weight :- 45gm-55gm
- 3) For any further inquires about the safety approvals,output voltage or current, please feel free to contact our sales representative.