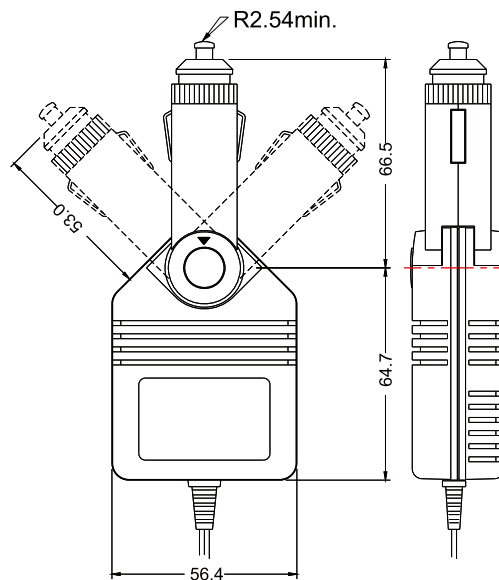


Type No	Input	Output	
		Voltage	Current
DQ05	10.8V - 26.5V	3.0V - 6.0 V	0.2A - 0.4A

Remarks:-

- 1) Dimension unit in mm
- 2) Unit weight :- 40gm-50gm
- 3) For any further inquires about the safety approvals,output voltage or current, please feel free to contact our sales representative.



Type No	Input	Output	
		Voltage	Current
DQ07	11.2 - 13.8	6.0V - 9.0V	1.0A - 2.0A

Remarks :-

- 1) Dimension unit in mm
- 2) Unit weight :- 90-110gm
- 3) Plug Head can be bended with different angle for easier to plug in the socket
- 4) For any further inquires about the safety approvals,output voltage or current, please feel free to contact our sales representative.