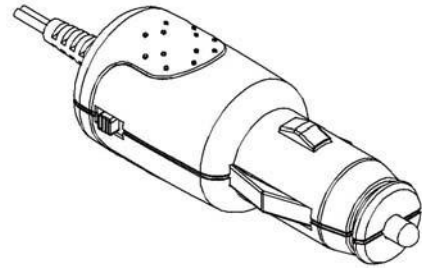
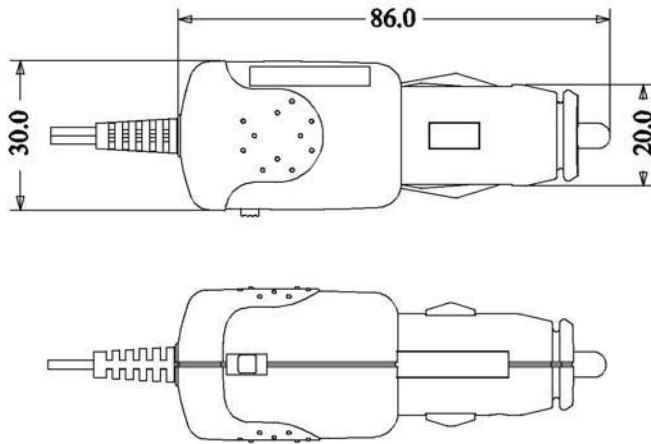


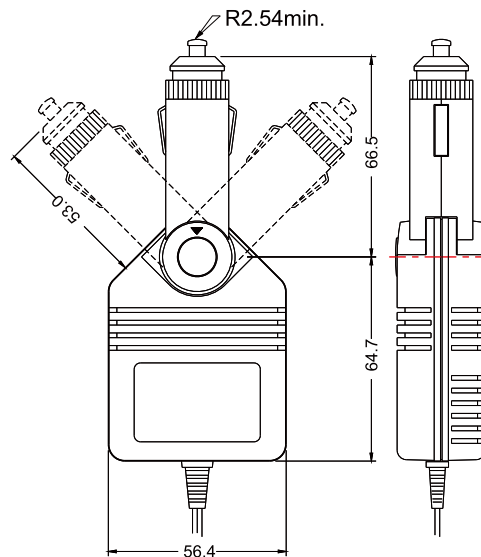
Selectable Output Series



Type No	Input	Output	
		Voltage	Current
DQ04	10.8V - 26.5V	3-4.5-6V	0.5A - 1.2A
		4.5-6-9V	0.5A - 1.0A
		6-9-12V	0.5A - 0.8A

Remarks :-

- 1) Dimension unit in mm
- 2) Unit weight :- 45gm-60gm
- 3) For any further inquires about the safety approvals,output voltage or current, please feel free to contact our sales representative.



Type No	Input	Output	
		Voltage	Current
DQ07	11.2V - 13.8V	3-4.5-6-7.5-9-12V	0.8A - 1.2A

Remarks :-

- 1) Dimension unit in mm
- 2) Unit weight :- 90gm-120gm
- 3) Plug Head can be bended with different angle for easier to plug in the socket
- 4) For any further inquires about the safety approvals,output voltage or current, please feel free to contact our sales representative.